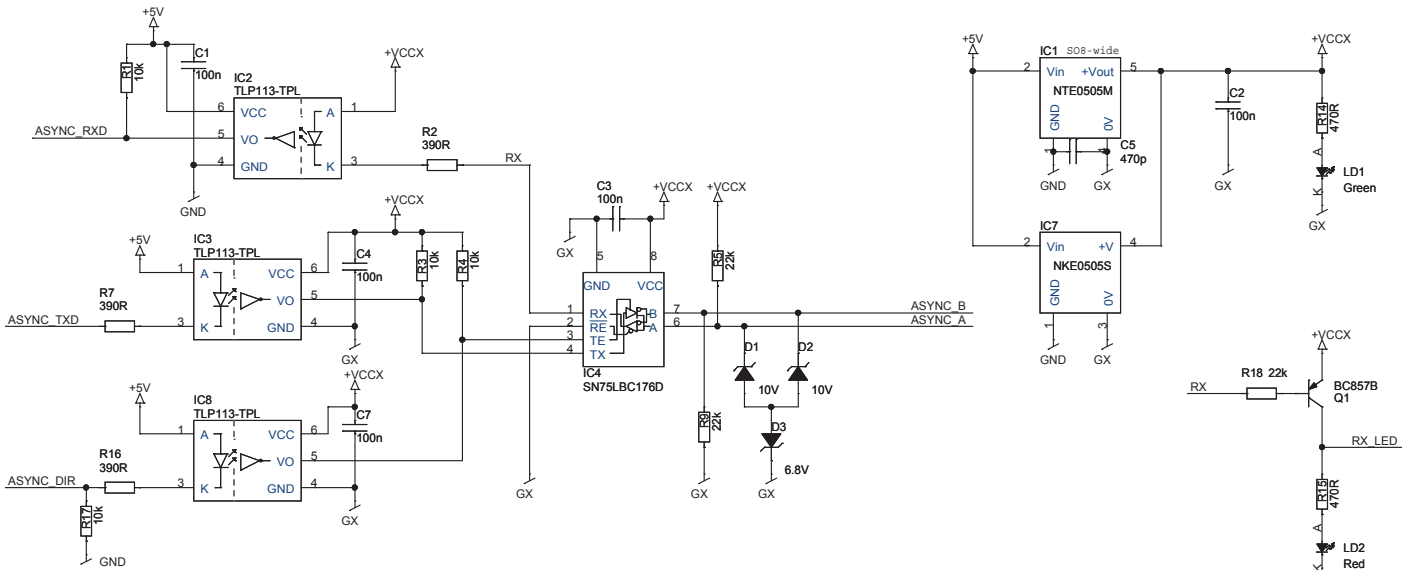


62000126

Martin		Project Title Relay & Inrush	Drawn By DT
Size A3	PCB Title 01006016	Rev C	
Sheet 1	Date Thursday, September 14, 2006	Product Bsn Number 01006016	



PL1A
96Pin Male Angled Pflit DIN41612

A1	DC+
A2	DC-
A3	DD+
A4	DD-
A5	
A6	
A7	
A8	
A9	STEP7_A2
A10	STEP7_A1
A11	STEP7_B1
A12	STEP7_B2
A13	STEP8_A1
A14	STEP8_B1
A15	REL_GND1
A16	+24V_A
A17	+24V_A
A18	GND
A19	GND
A20	D_SRDATA
A21	IO_AUX1
A22	FAN_VCC1
A23	FAN_SENSE1
A24	NTC1
A25	NTC2
A26	ASYNC_TXD
A27	I2C_DATA
A28	I2C_CLK
A29	GRAY1_A
A30	GRAY2_A
A31	SENSOR1
A32	SENSOR2

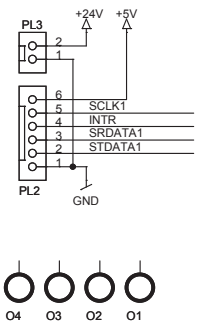
PL1B
96Pin Male Angled Pflit DIN41612

B1	
B2	
B3	
B4	
B5	RX_LED
B6	
B7	
B8	
B9	GND
B10	GND
B11	GND
B12	GND
B13	STEP8_A2
B14	STEP8_B2
B15	FAN_VCC2
B16	+24V_A
B17	+24V_A
B18	GND
B19	GND
B20	D_SCLK
B21	INTR
B22	D_ENABLE
B23	FAN_SENSE2
B24	LS_IN1
B25	LS_SUPPLY1
B26	ASYNC_RXD
B27	DMX_A
B28	DMX_B
B29	GRAY1_B
B30	GRAY2_B
B31	SENSOR3
B32	SENSOR4

Communication PCB connector

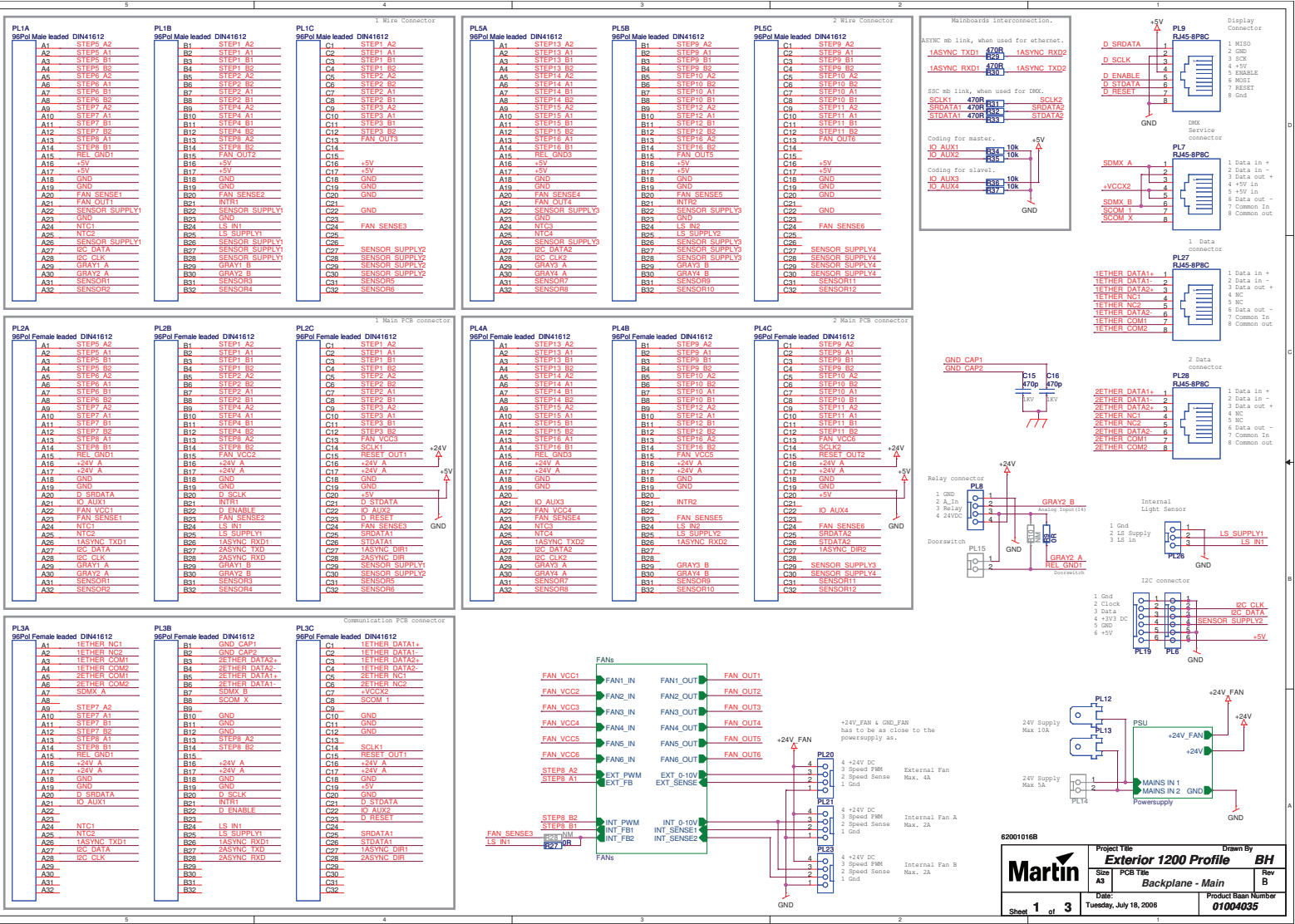
PL1C
96Pin Male Angled Pflit DIN41612

C1	DA+
C2	DA-
C3	DB+
C4	DB-
C5	+VCCX
C6	
C7	
C8	
C9	GND
C10	GND
C11	GND
C12	GND
C13	FAN_VCC3
C14	SCLK1
C15	RESET_OUT
C16	+24V_A
C17	+24V_A
C18	GND
C19	+5V
C20	GND
C21	D_STDATA
C22	IO_AUX2
C23	D_RESET
C24	FAN_SENSE3
C25	SRDATA1
C26	STDATA1
C27	ASYNC_DIR
C28	DMX_DIR
C29	SENSOR_SUPPLY1
C30	SENSOR_SUPPLY2
C31	SENSOR5
C32	SENSOR6



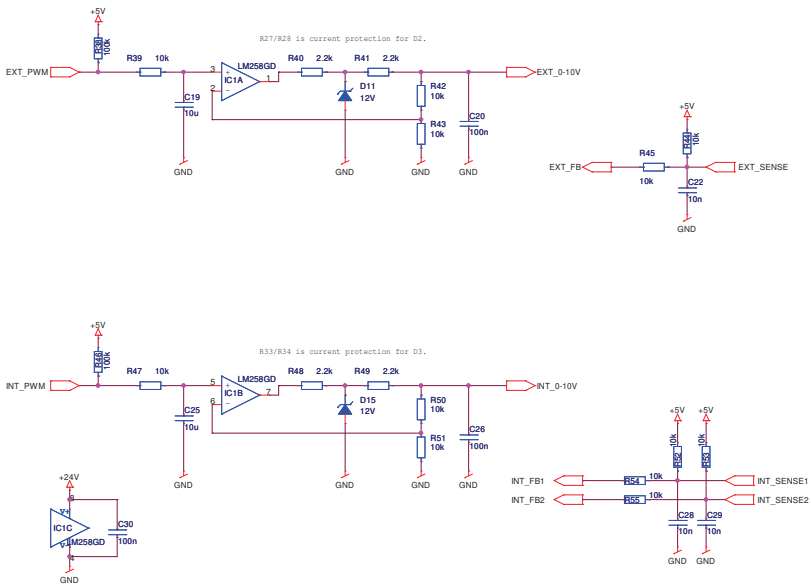
<Variant Name>

Martin	Project Title OPTO DMX	Drawn By DT
	Size A4	PCB Title Opto DMX
Sheet 1 of 1	Date: Thursday, March 09, 2006	Product Baan Number

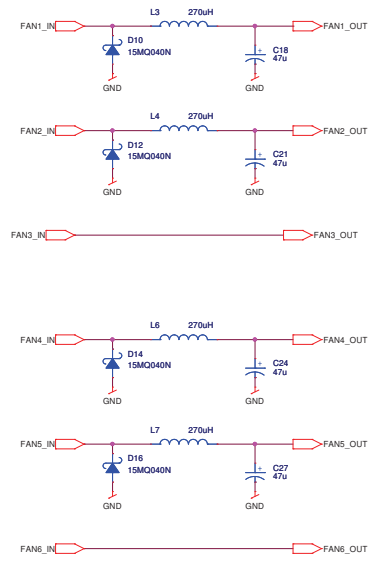


	Project Title	Drawn By
	Exterior 1200 Profile	BH
Size	PCB Title	Rev
A5	Backplane - Main	B
Date	Product Bsn Number	
Tuesday, July 18, 2006	01004035	
Sheet 1 of 3		

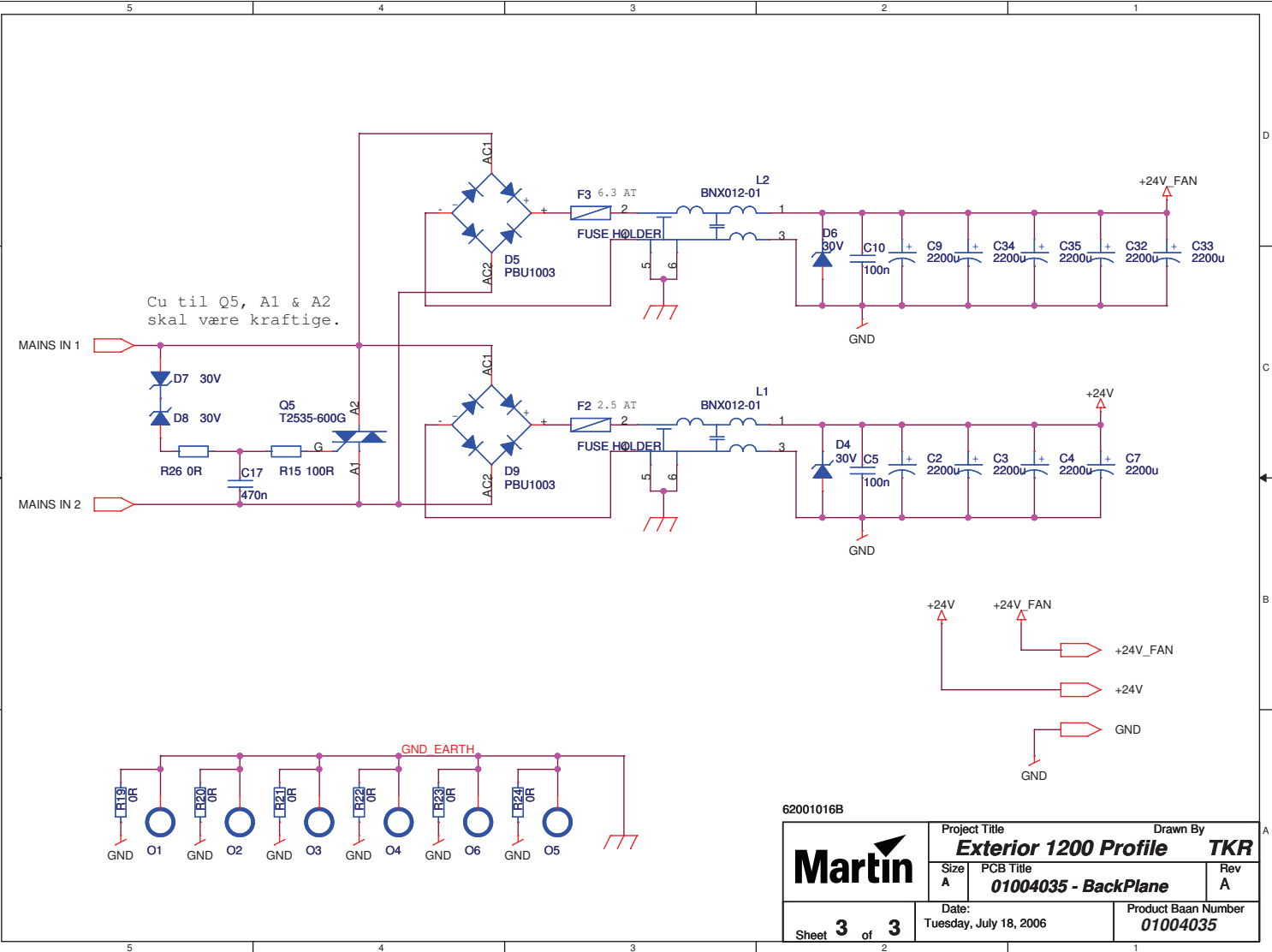
0-10V Fan control.



PWM → DC Conversion for traditionally fans.

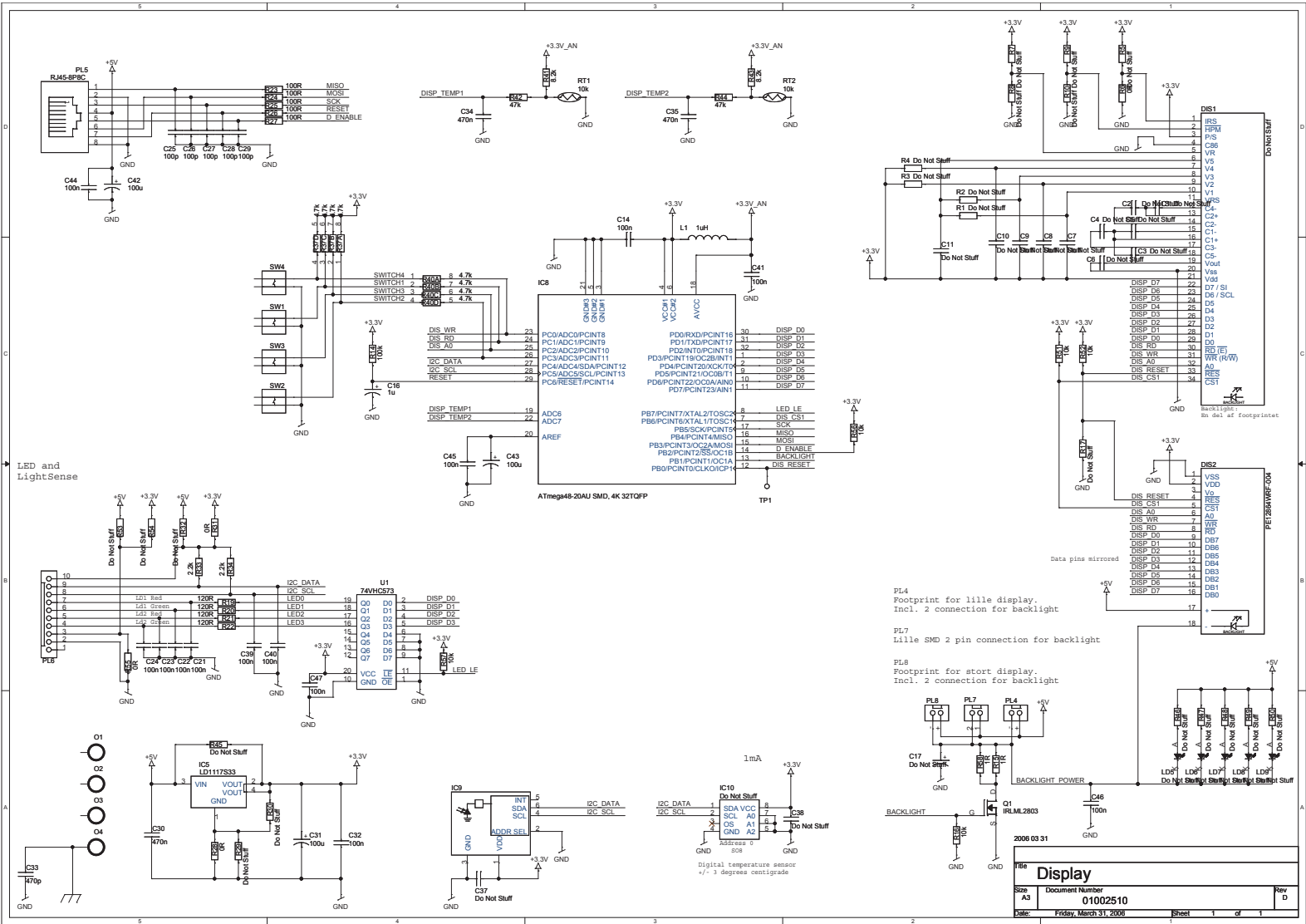


82001016B		Project Title		Drawn By	
Martin		Exterior 1200 Profile		TKR	
Size	A3	PCB Title	BackPlane - Fan		
Rev	A	Date:	Wednesday, July 05, 2006		Product Bsn Number
Sheet	2 of 3				01004035



62001016B

Martin	Project Title		Drawn By
	Exterior 1200 Profile		TKR
Size A	PCB Title		Rev
	01004035 - BackPlane		A
Date:		Product Baan Number	
Tuesday, July 18, 2006		01004035	
Sheet 3 of 3			



LED and LightSense

PL4 Footprint for lille display. Incl. 2 connection for backlight

PL7 Footprint for start display. Incl. 2 connection for backlight

PL8 Footprint for start display. Incl. 2 connection for backlight

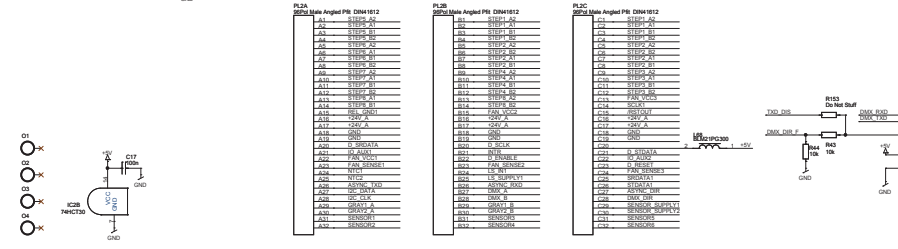
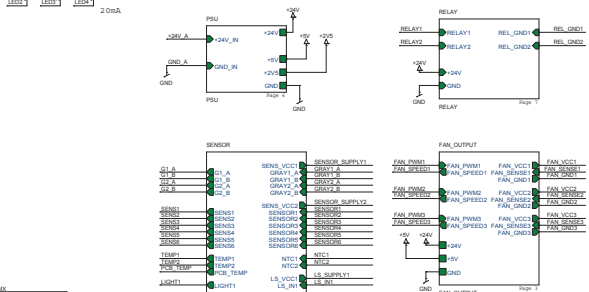
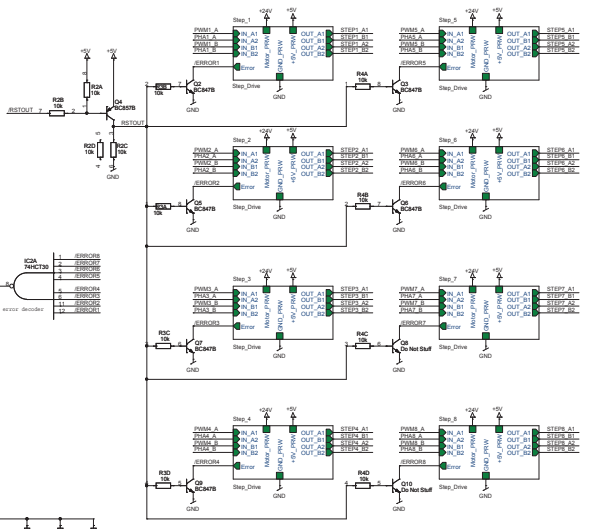
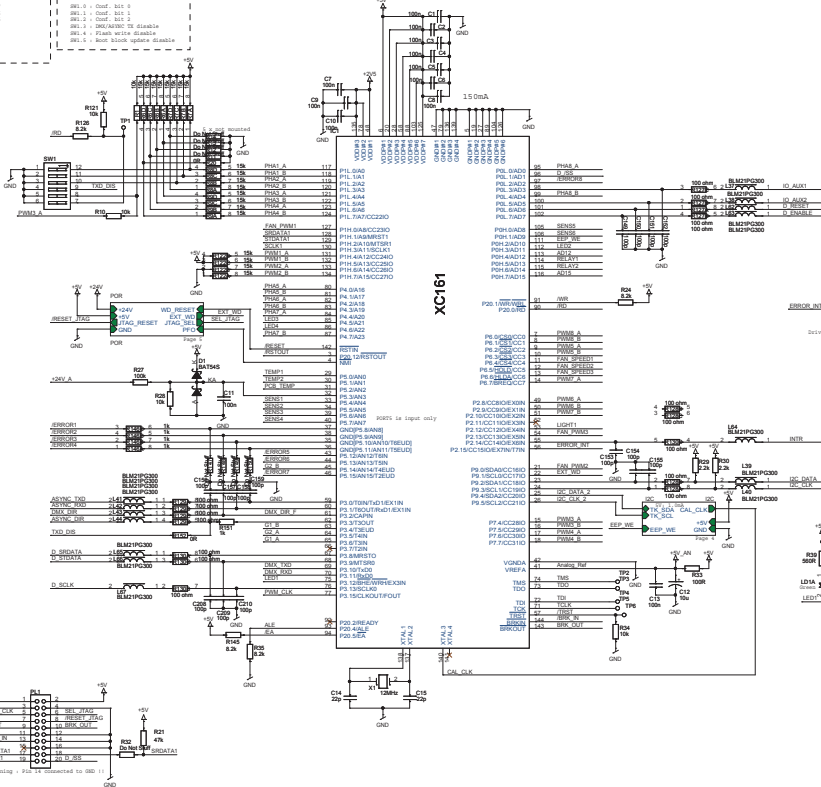
File	Display		
Size	A3	Document Number	01002510
Date:	Friday, March 31, 2006	Sheet	1 of 1

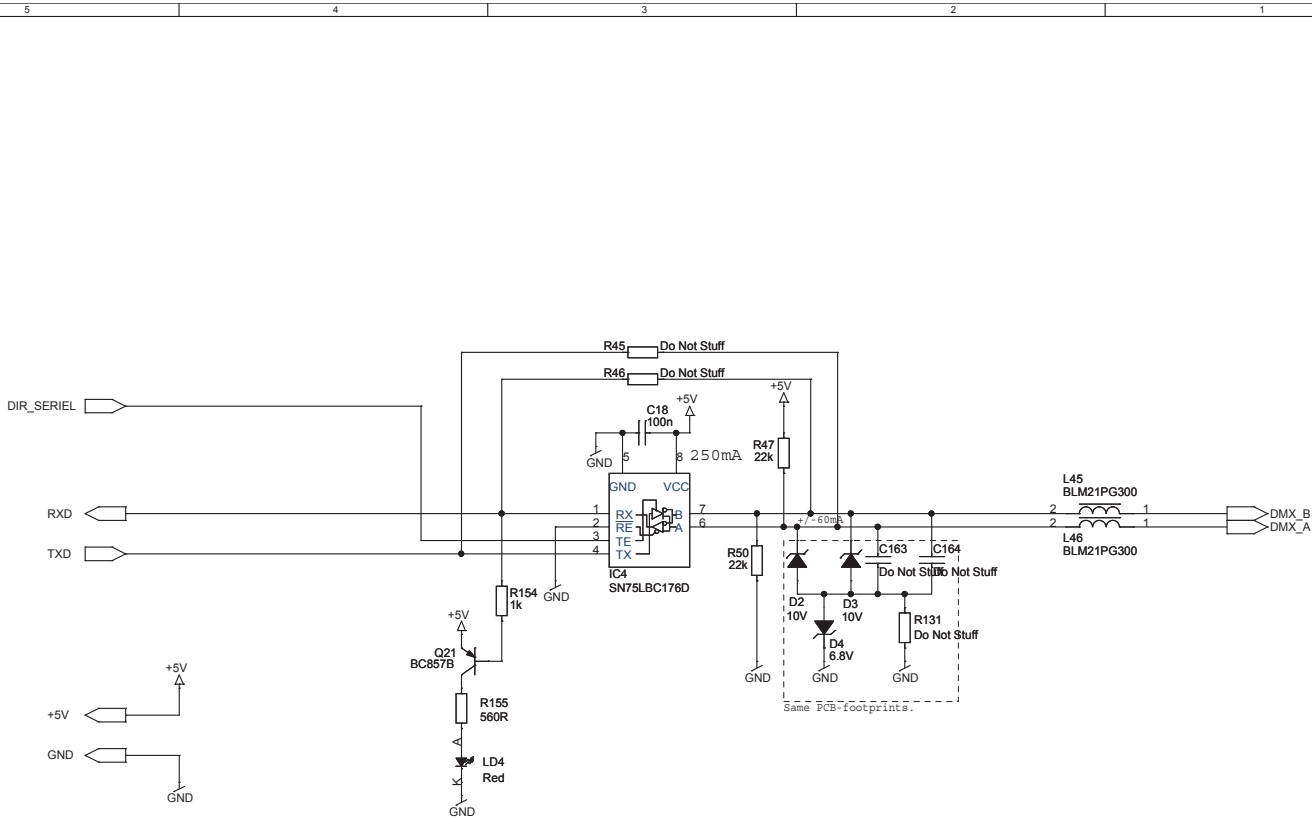
Configuration bits : SW1 when set to 1 :

```

R11 0 : SW1.0 set 0
R11 1 : SW1.1 set 0
R11 2 : SW1.2 set 0
R11 3 : SW1.3 set 0
R11 4 : SW1.4 set 0
R11 5 : SW1.5 set 0
R11 6 : SW1.6 set 0
R11 7 : SW1.7 set 0

```

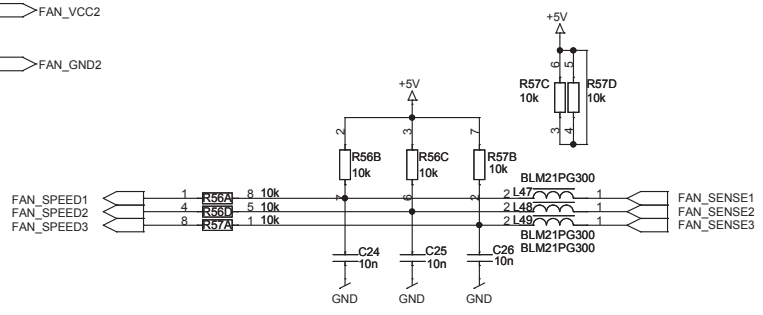
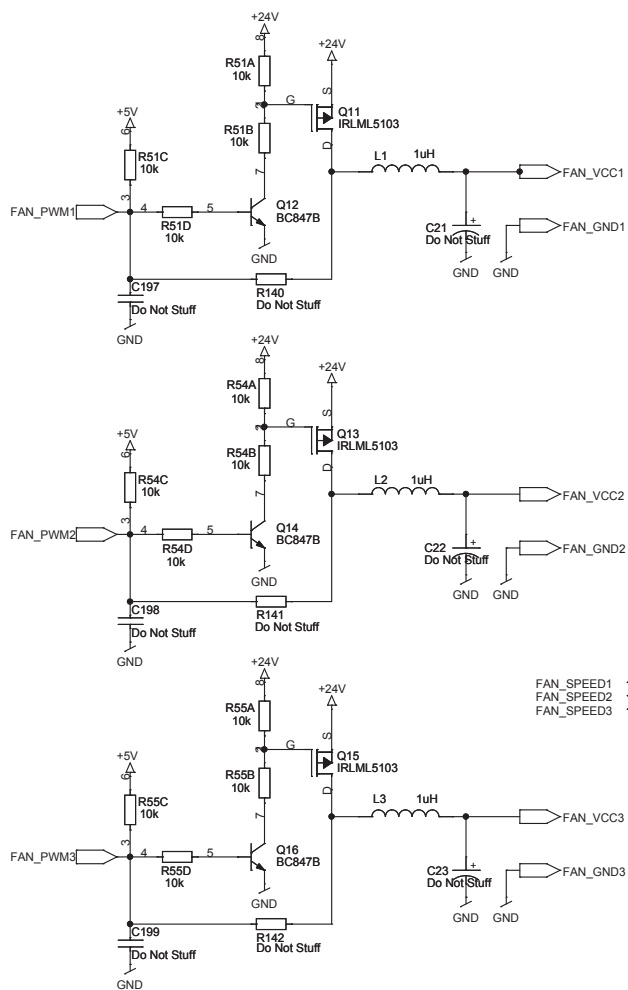




Ext1200

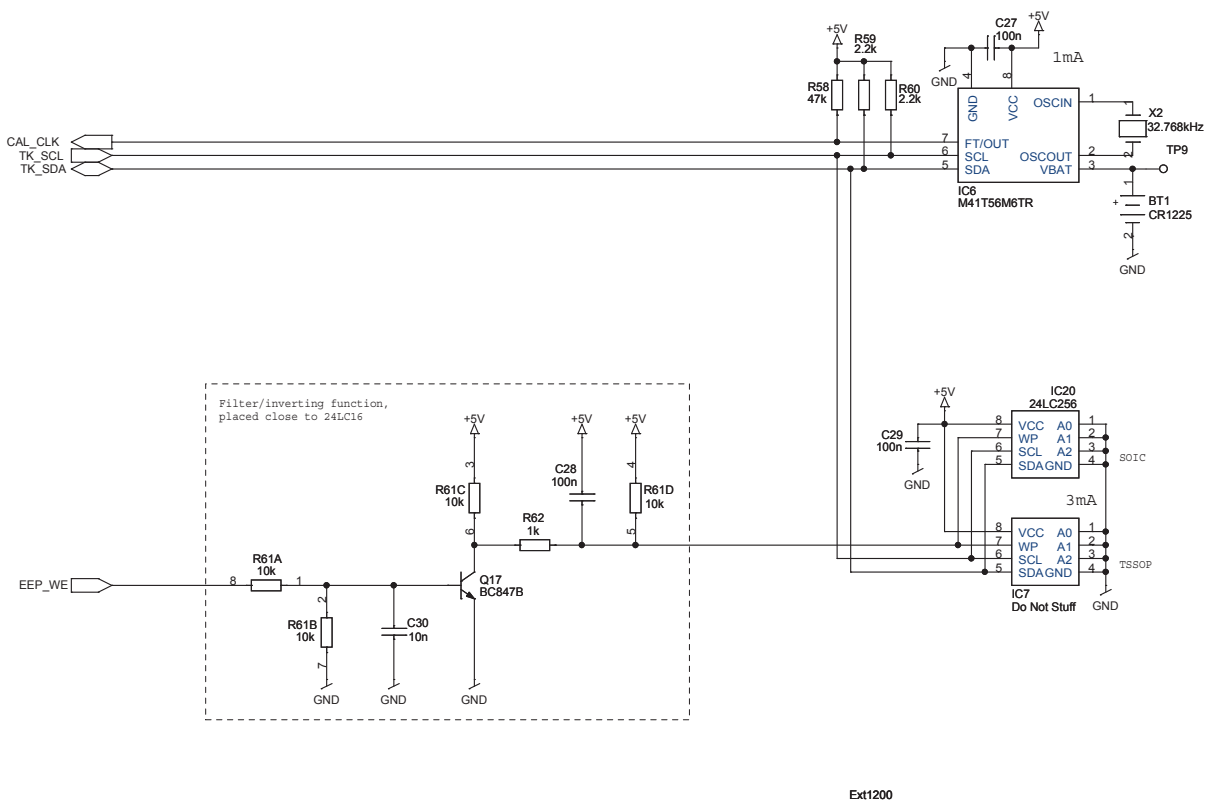
	Project Title	Drawn By	
	DMX interface	MJ	
Size A4	PCB Title -	Rev C	
Date: Wednesday, January 11, 2006	Product Baan Number 01001542		

Sheet 2 of 16



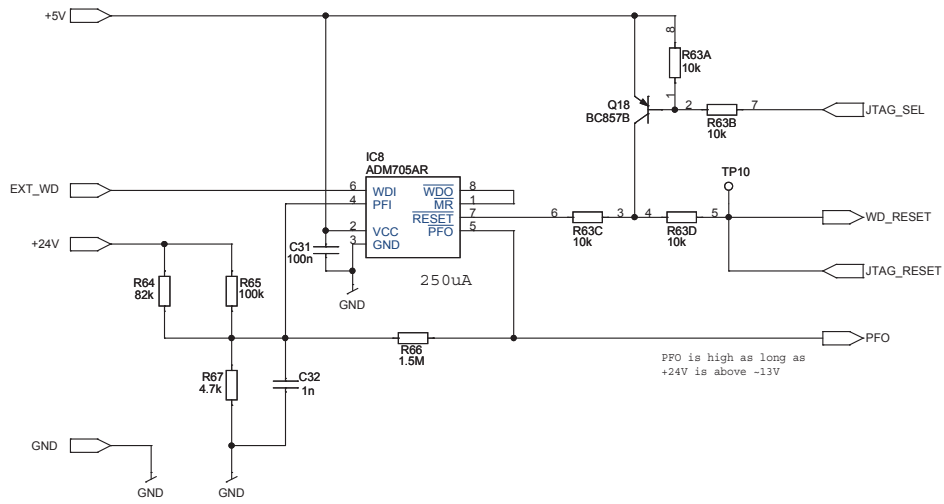
Ext1200

	Project Title	Drawn By
	Fan-outputs	MJ
Size	PCB Title	Rev
A4	-	C
Date:	Product Baan Number	
Wednesday, January 11, 2006	01001542	
Sheet 3 of 16		



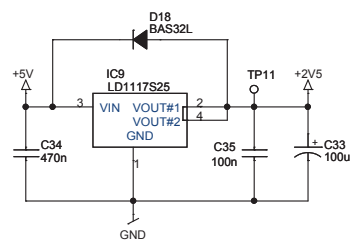
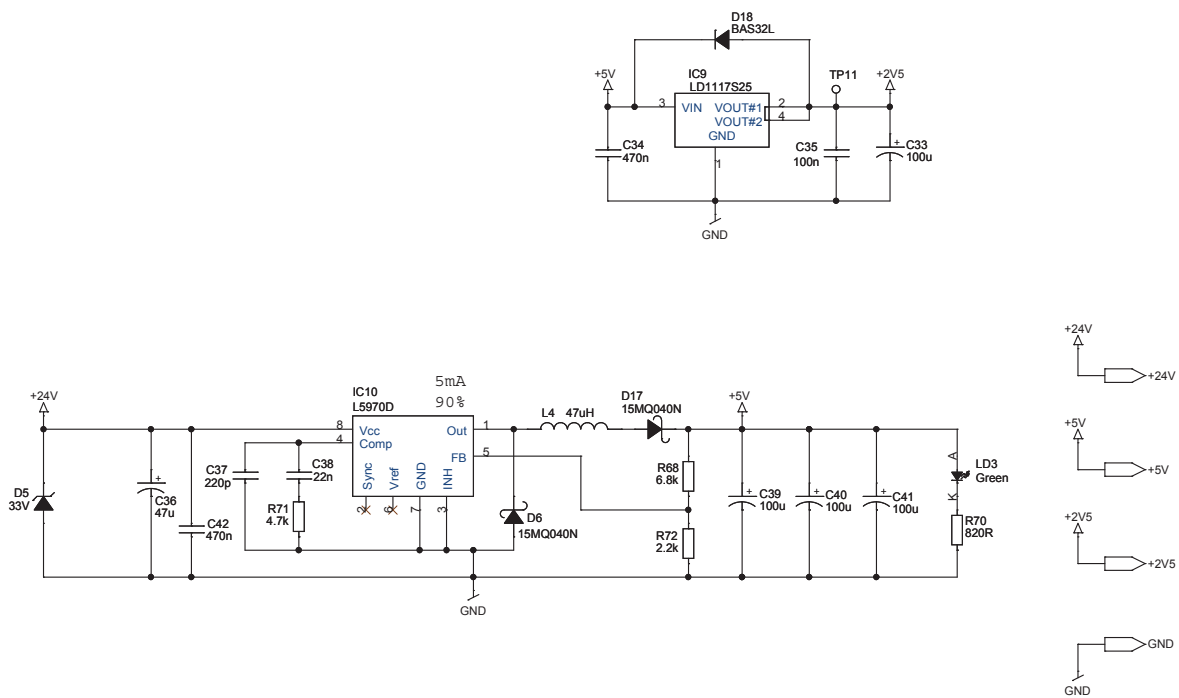
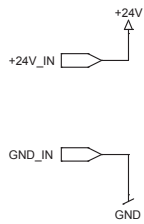
Ext1200

	Project Title	Onboard I2C devices		Drawn By	MJ
	Size	A4	PCB Title	-	Rev
Sheet	4	of	16	Date:	Tuesday, April 04, 2006
				Product Baan Number	01001542



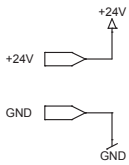
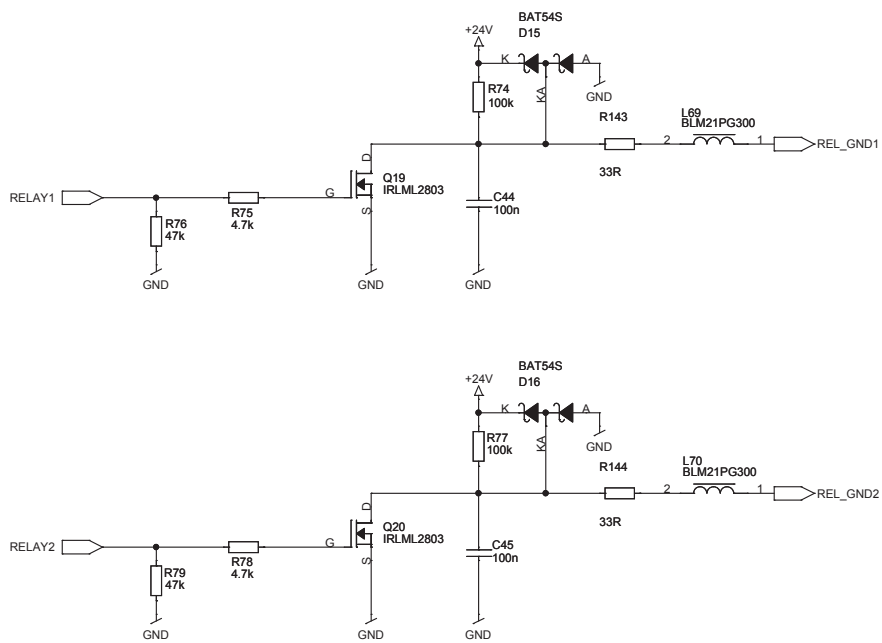
Ext1200

	Project Title		Drawn By
	Power on reset		MJ
Size A4	PCB Title -		Rev C
Date: Wednesday, January 11, 2006		Product Baan Number 01001542	
Sheet 5 of 16			



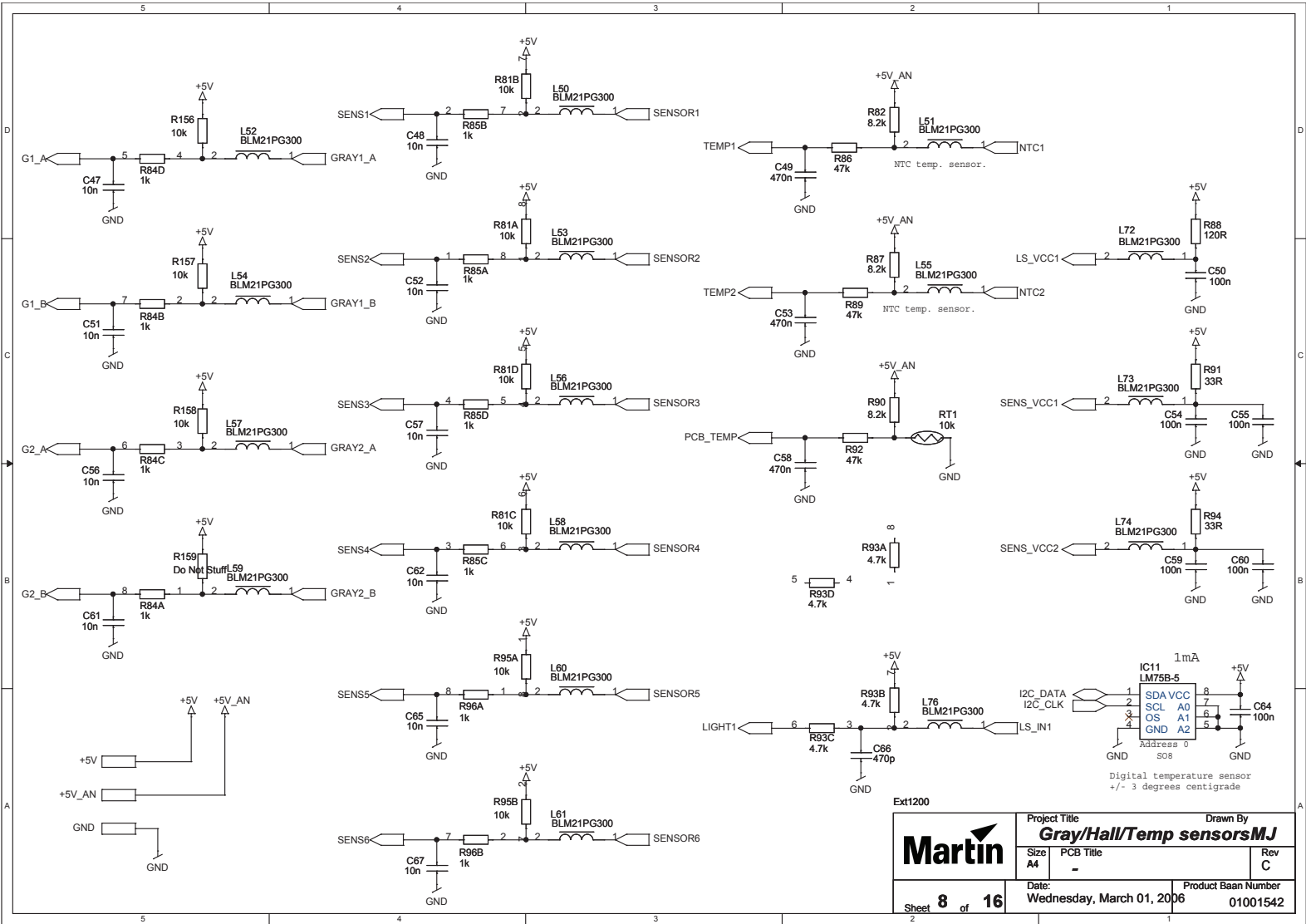
Ext1200

Martin	Project Title Power Supply		Drawn By MJ
	Size A4	PCB Title -	Rev C
Date: Wednesday, March 01, 2006		Product Baan Number 01001542	
Sheet 6 of 16			



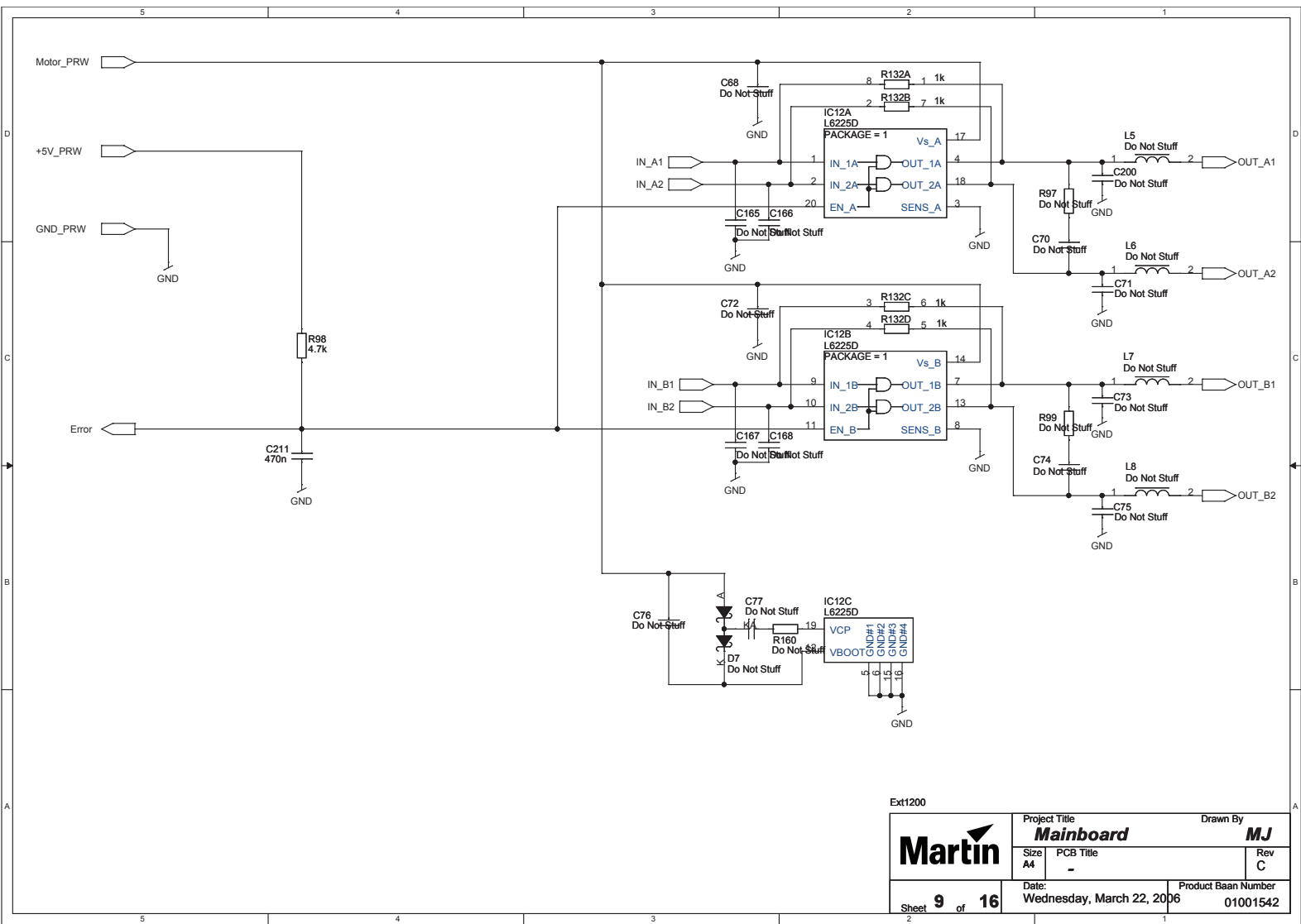
Ext1200

	Project Title		Drawn By
	Relay drivers		MJ
Size A4	PCB Title -	Rev C	
Date: Wednesday, January 11, 2006		Product Baan Number 01001542	
Sheet 7 of 16			



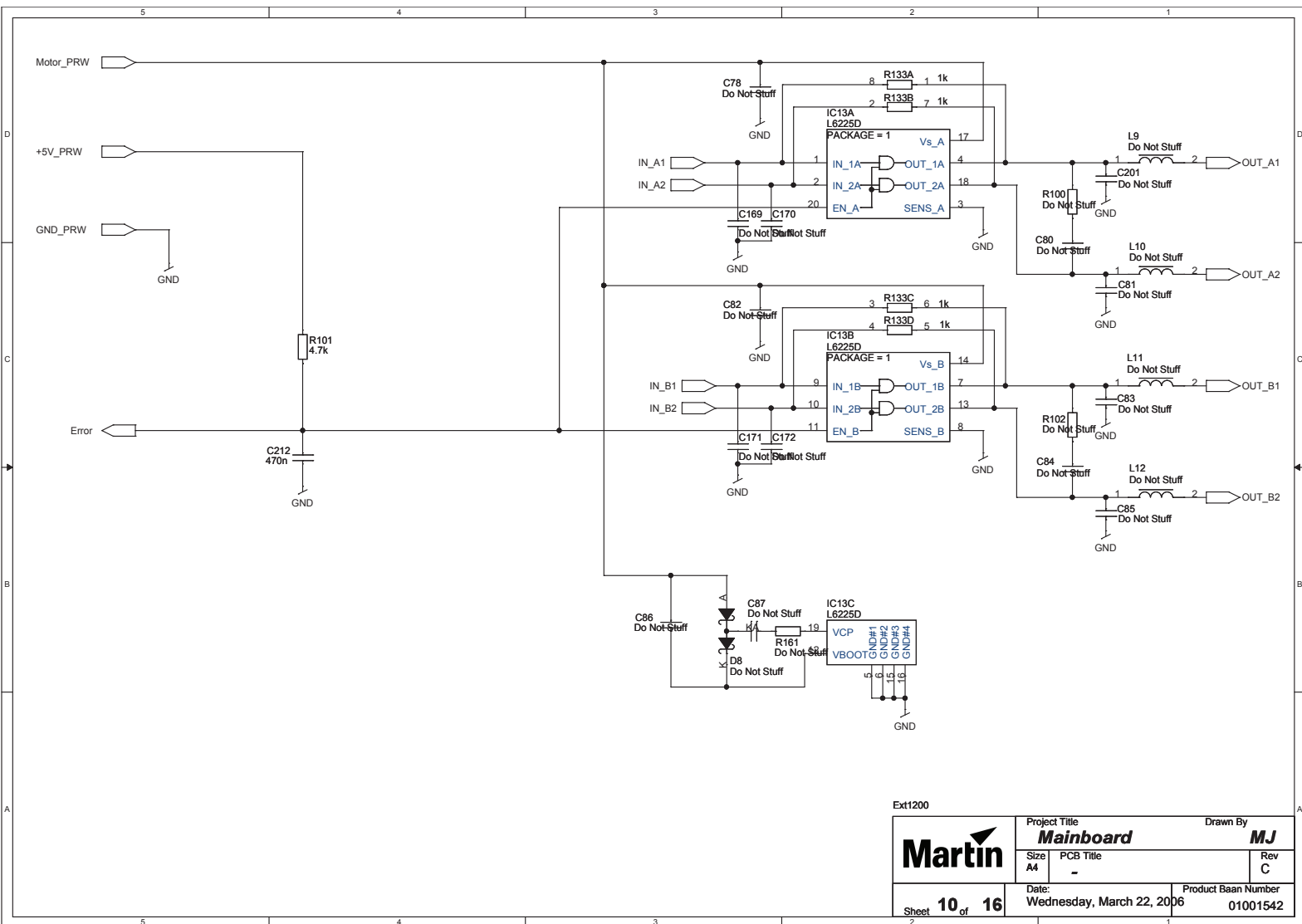
Ext1200

	Project Title		Drawn By
	Gray/Hall/Temp sensorsMJ		MJ
Size	PCB Title		Rev
A4			C
Date:	Product Baan Number		
Wednesday, March 01, 2016	01001542		
Sheet 8 of 16			



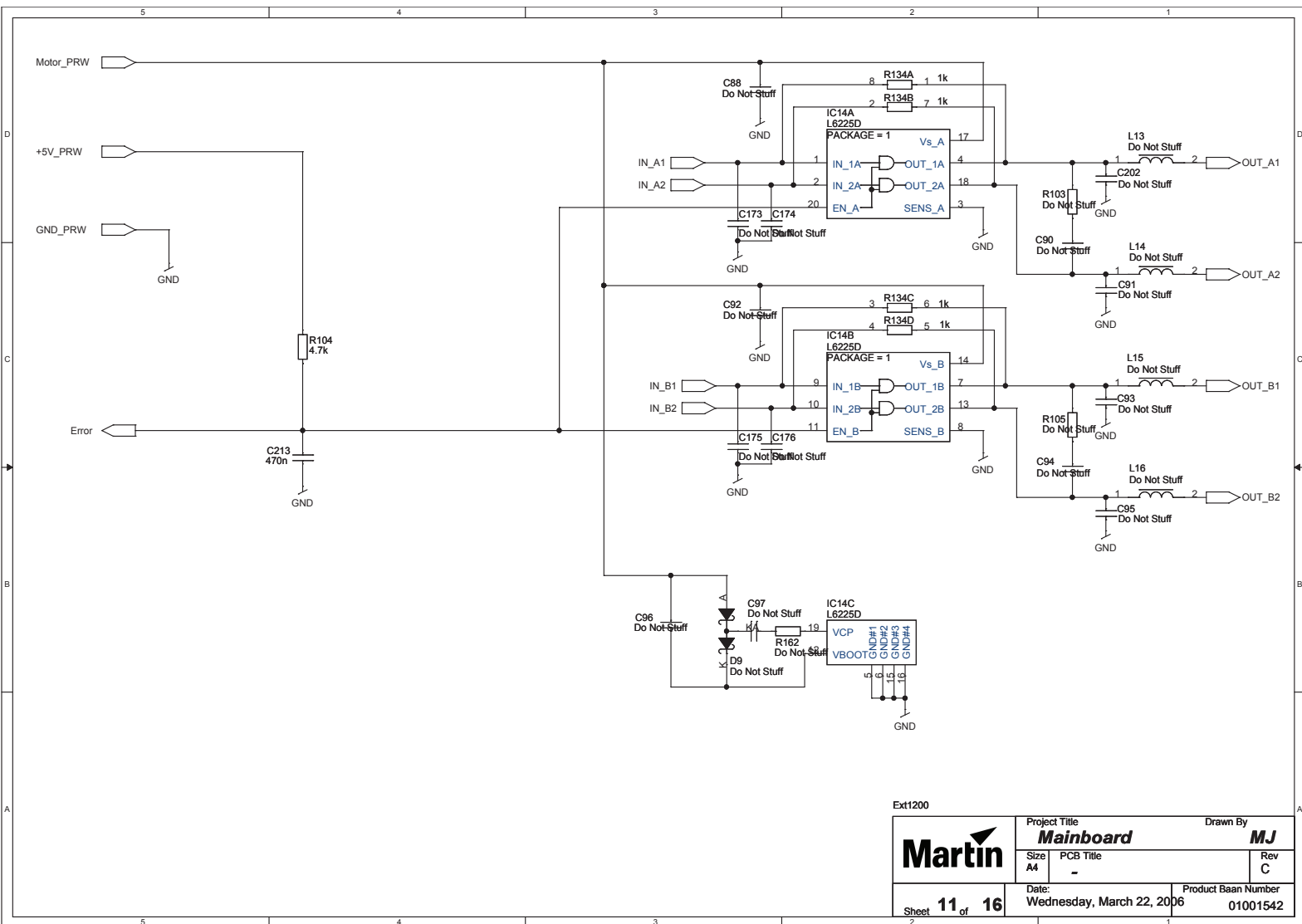
Ext1200

	Project Title		Drawn By	
	Mainboard		MJ	
Size A4	PCB Title -		Rev C	
Date: Wednesday, March 22, 2016		Product Baan Number 01001542		
Sheet 9 of 16				



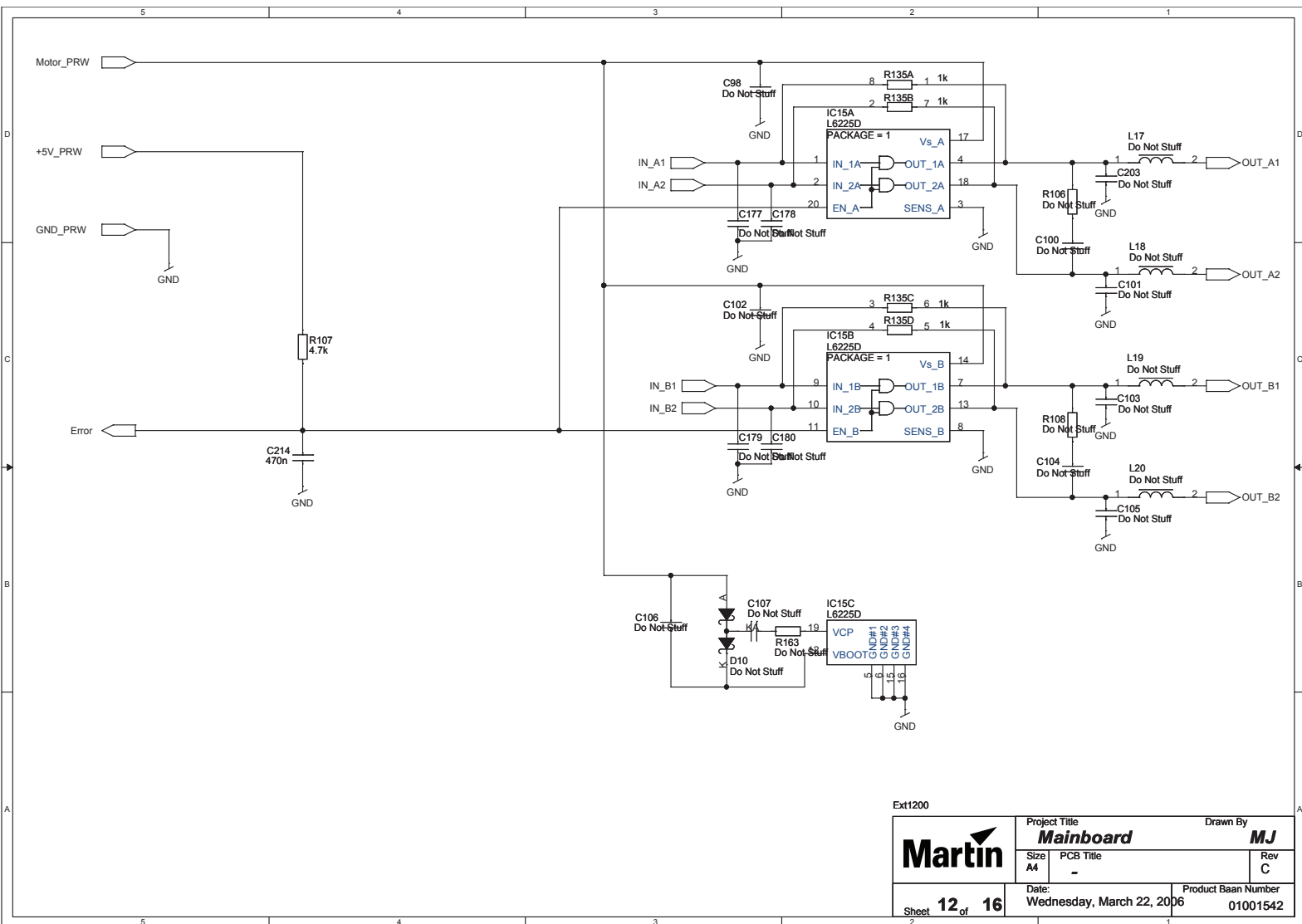
Ext1200

	Project Title		Drawn By
	Mainboard		MJ
Size A4	PCB Title -		Rev C
Date: Wednesday, March 22, 2016		Product Baan Number 01001542	
Sheet 10 of 16			



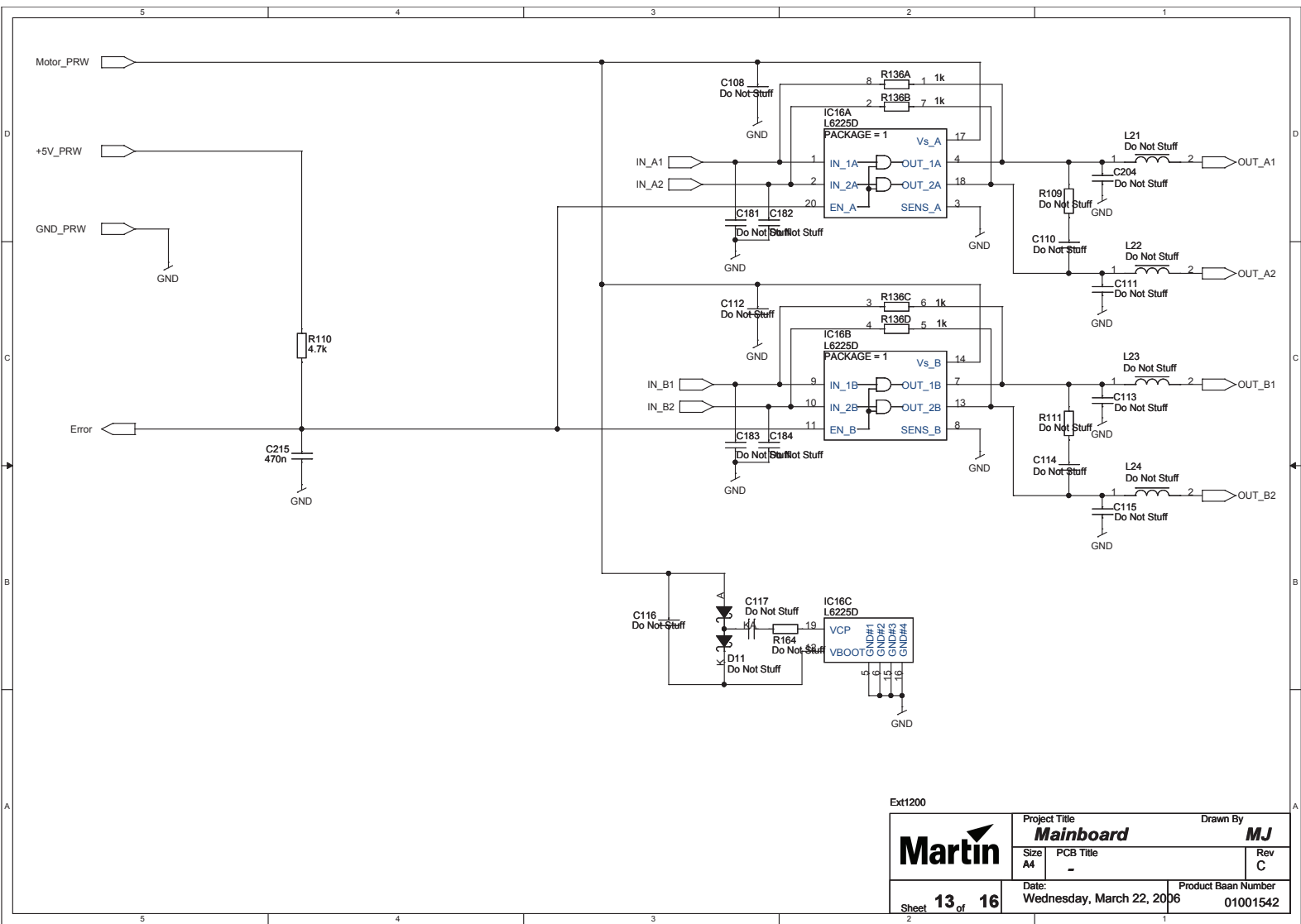
Ext1200

	Project Title	Mainboard		Drawn By	MJ
	Size	A4	PCB Title	-	Rev
Sheet	11 of 16	Date:	Wednesday, March 22, 2016	Product Baan Number	01001542



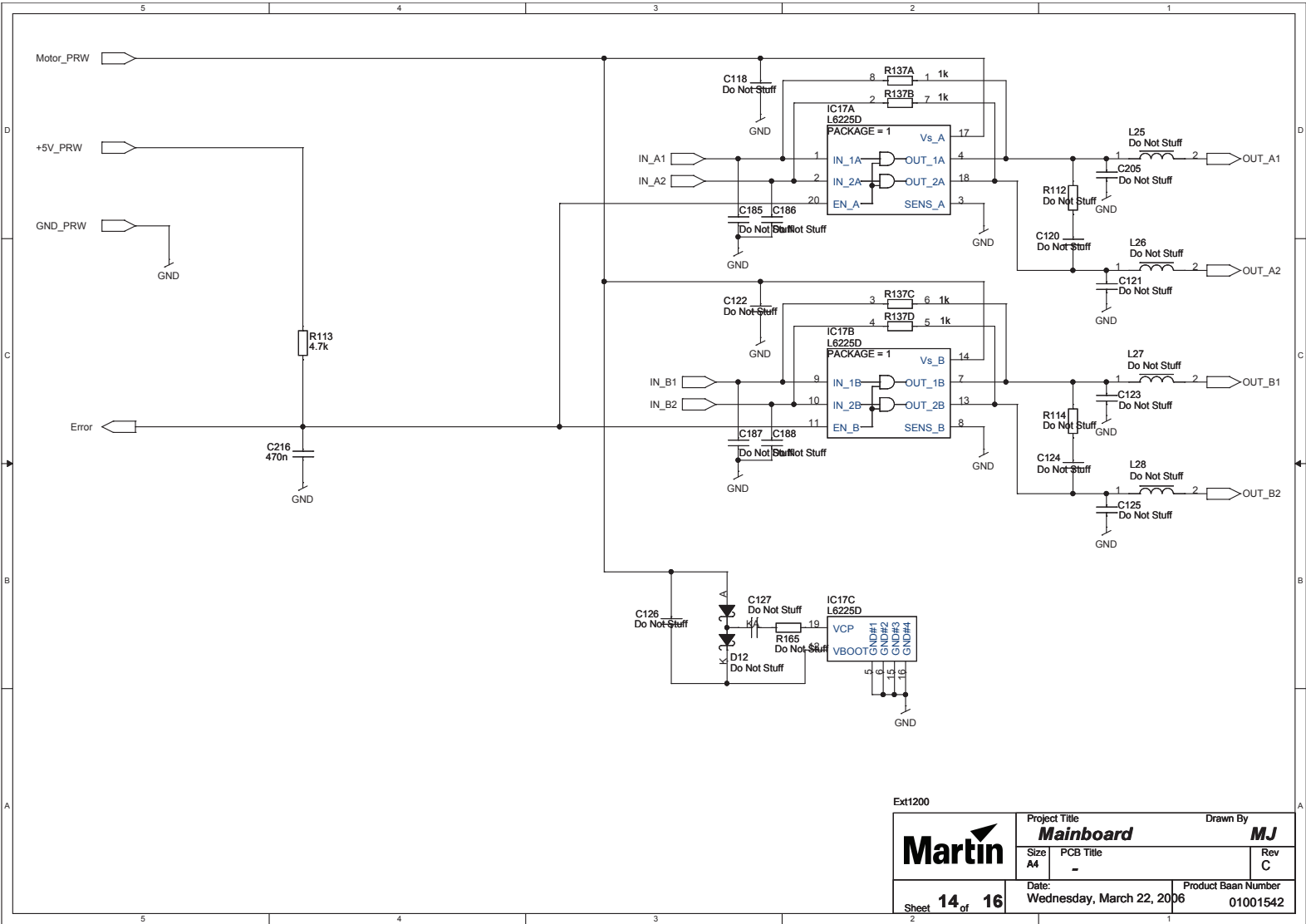
Ext1200

Martin	Project Title	Mainboard		Drawn By	MJ
	Size	A4	PCB Title	-	Rev
	Date:	Wednesday, March 22, 2016		Product Baan Number	01001542
Sheet	12 of 16				



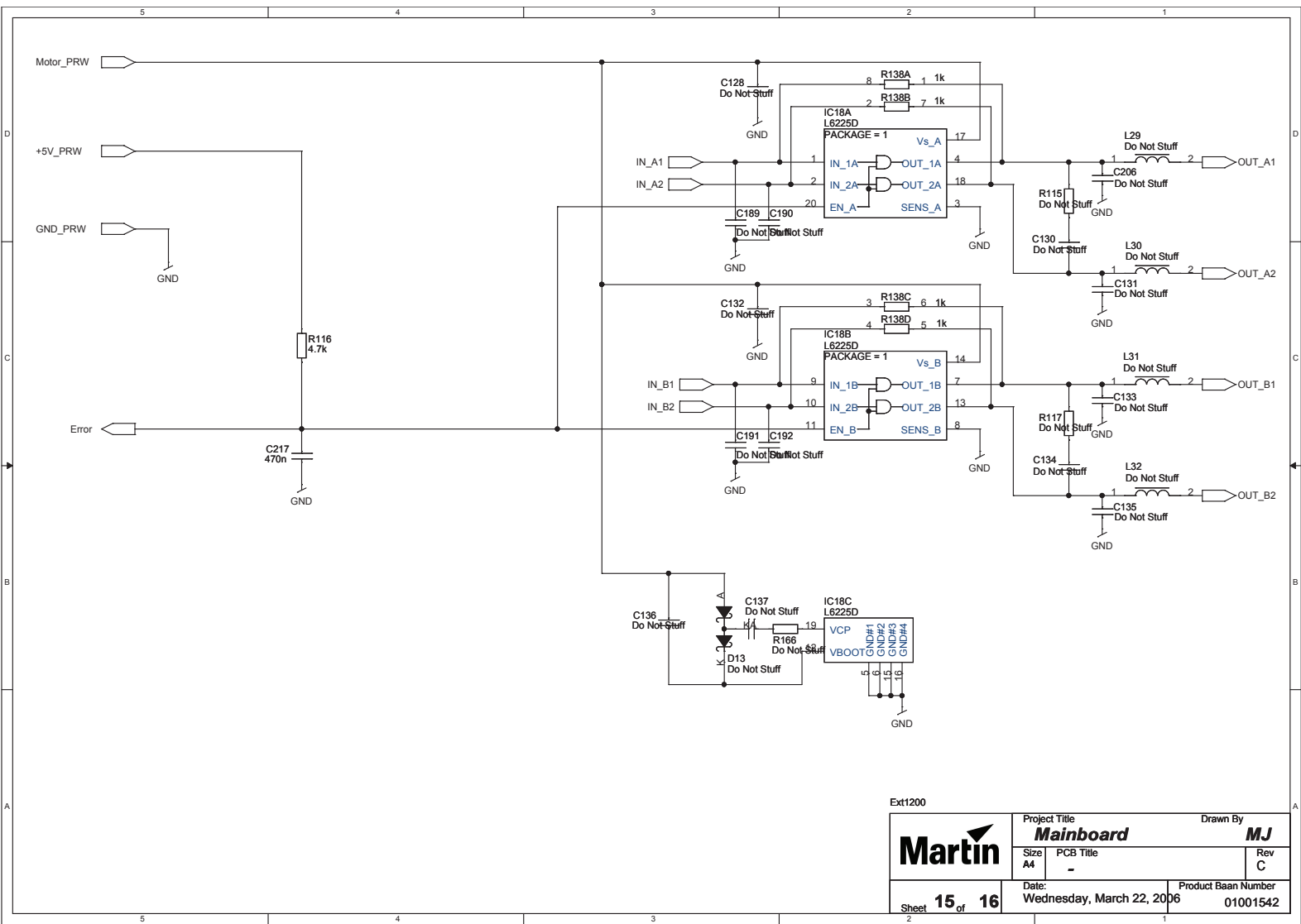
Ext1200

	Project Title	Mainboard		Drawn By	MJ
	Size	A4	PCB Title	-	Rev
Sheet	13 of 16	Date:	Wednesday, March 22, 2016	Product Baan Number	01001542



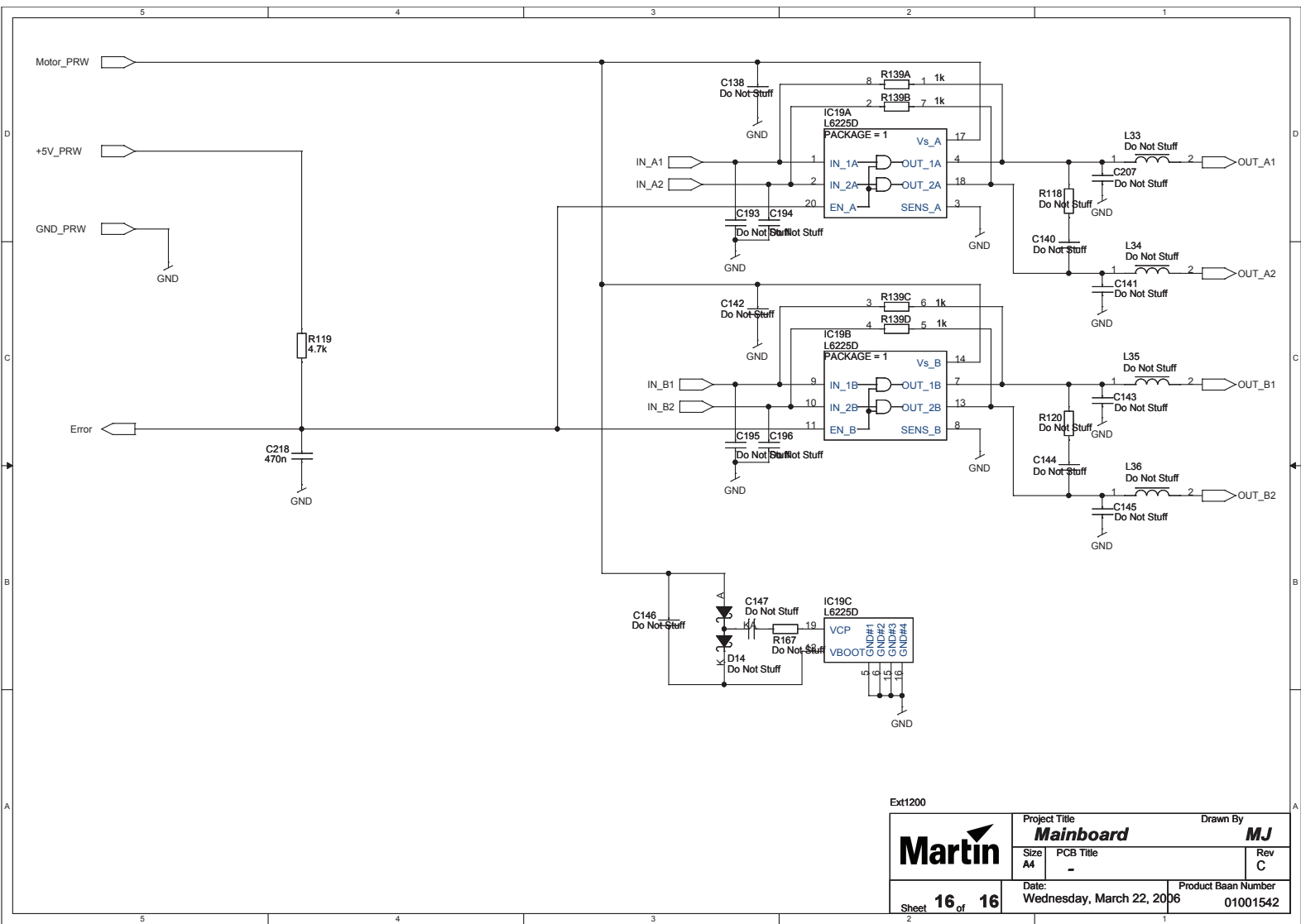
Ext1200

	Project Title		Drawn By
	Mainboard		MJ
Size A4	PCB Title -		Rev C
Date: Wednesday, March 22, 2016		Product Baan Number 01001542	
Sheet 14 of 16			



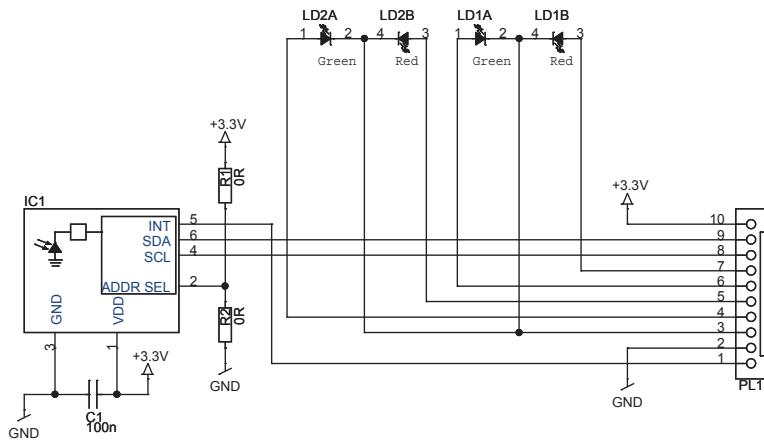
Ext1200

	Project Title	Mainboard		Drawn By	MJ	
	Size	A4	PCB Title	-	Rev	C
Sheet	15 of 16	Date:	Wednesday, March 22, 2016		Product Baan Number	01001542



Ext1200

	Project Title		Drawn By
	Mainboard		MJ
Size A4	PCB Title -		Rev C
Date: Wednesday, March 22, 2016		Product Baan Number 01001542	
Sheet 16 of 16			



Title		
LightSensor		
Size	Document Number	Rev
A	01002511	D
Date:	Thursday, March 30, 2006	Sheet 1 of 1